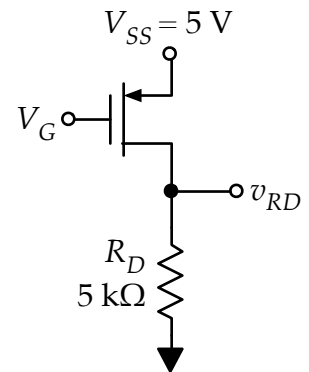


For the simple PMOS circuit shown at right, find the value of v_{RD} for $V_G = 0.5$ V, $V_G = 2.5$ V, and $V_G = 4.5$ V.

For the PMOS, $V_{TP} = -1$ V, $W = 10$ μm , $L = 1$ μm , and $\mu_p C_{ox} = 0.05$ mA/V².



$V_G = 0.5$ V: $v_{RD} =$ _____

$V_G = 2.5$ V: $v_{RD} =$ _____

$V_G = 4.5$ V: $v_{RD} =$ _____