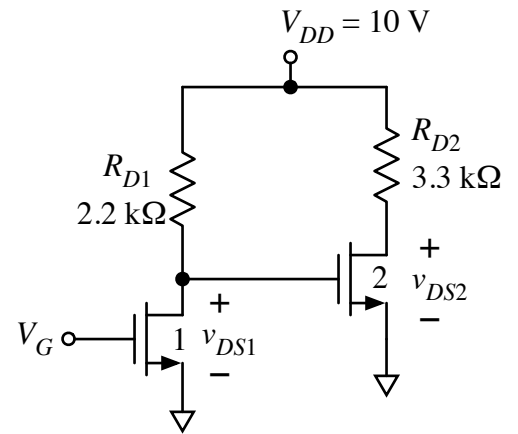


In the circuit at right, the two NMOSs are identical: $K_n = 0.5 \text{ mA/V}^2$ and $V_T = 1 \text{ V}$.

If $V_G = 3 \text{ V}$, find v_{DS1} and v_{DS2} .



$v_{DS1} =$ _____ $v_{DS2} =$ _____

Repeat for $V_G = 7 \text{ V}$.

$v_{DS1} =$ _____ $v_{DS2} =$ _____