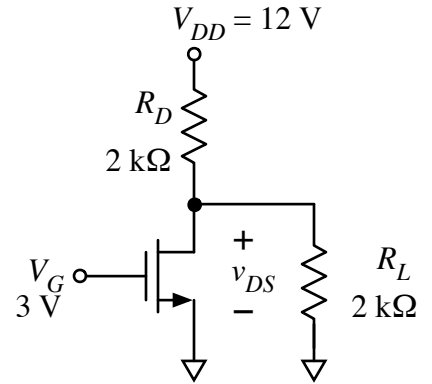


Find drain-source voltages for the transistors in the two circuits shown. The NMOS has  $V_{Tn} = 1\text{ V}$  and  $K_n = 0.5\text{ mA/V}^2$ . For the PMOS,  $V_{Tp} = -1\text{ V}$  and  $K_p = 0.222\text{ mA/V}^2$ .

NMOS:  $v_{DS} =$  \_\_\_\_\_



PMOS:  $v_{DS} =$  \_\_\_\_\_

