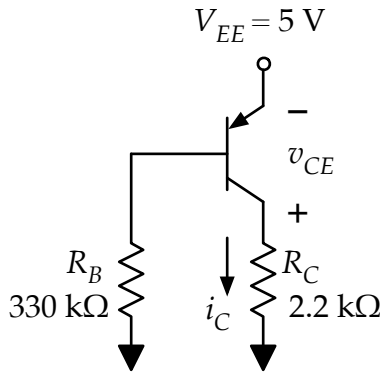
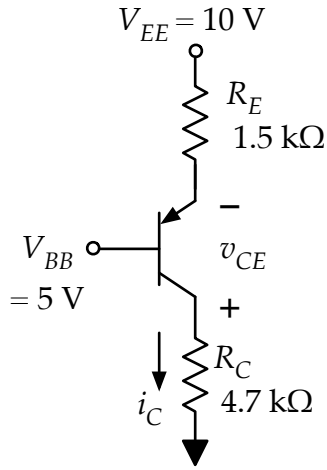


Find  $i_C$  and  $v_{CE}$  for each of the circuits below. For each *npn*,  $\beta_F = 75$ .



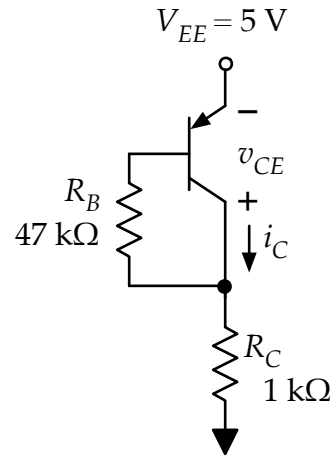
$i_C =$  \_\_\_\_\_

$v_{CE} =$  \_\_\_\_\_



$i_C =$  \_\_\_\_\_

$v_{CE} =$  \_\_\_\_\_



$i_C =$  \_\_\_\_\_

$v_{CE} =$  \_\_\_\_\_