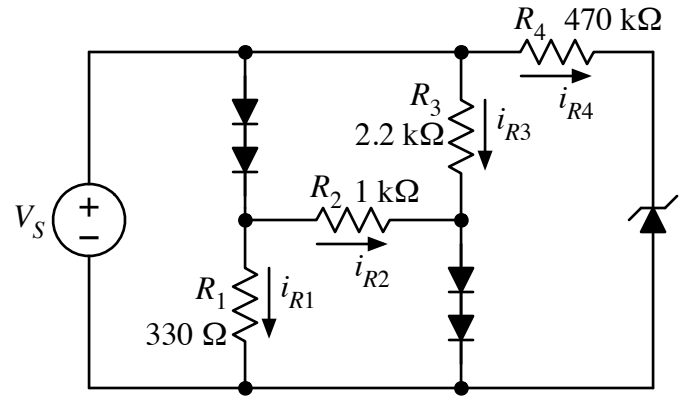


For the circuit at right use the on/off model for the regular diodes and the “break-down” model for the Zener to find the four resistor currents. The Zener voltage is 5 V. Do the calculation first for $V_S = 7.5$ V and then repeat for $V_S = 2.5$ V.



$V_S = 7.5$ V:

$i_{R1} =$ _____

$i_{R2} =$ _____

$i_{R3} =$ _____

$i_{R4} =$ _____

$V_S = 2.5$ V (Check assumptions carefully!)

$i_{R1} =$ _____

$i_{R2} =$ _____

$i_{R3} =$ _____

$i_{R4} =$ _____

