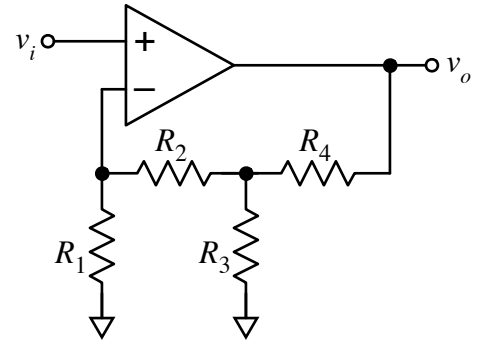


For the circuit shown at right, calculate an expression for the closed-loop gain,  $G = v_o/v_i$  voltage in terms of the resistors.



$G =$  \_\_\_\_\_.

If  $R_1 = 1 \text{ k}\Omega$  and  $R_2 = R_3 = R_4 = 3.3 \text{ k}\Omega$ , use your expression to calculate the value of the gain.

$G =$  \_\_\_\_\_.