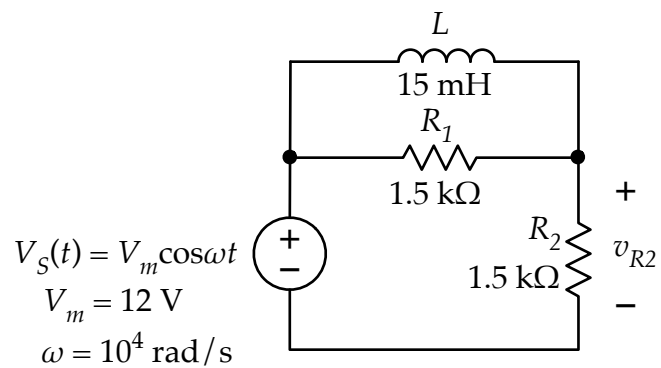


Use AC analysis to find the complex voltage across the resistor R_2 . Express the result in magnitude/phase form.



$\tilde{V}_{R2} =$ _____