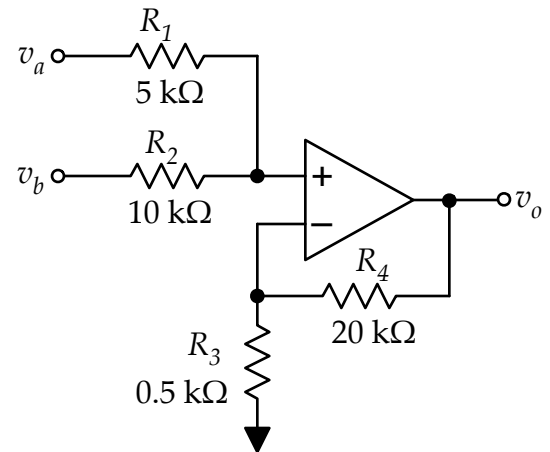


For the circuit shown, calculate the output  $v_o$  as a function of the inputs  $v_a$  and  $v_b$ . Assume that the op amp is ideal.



$v_o =$  \_\_\_\_\_