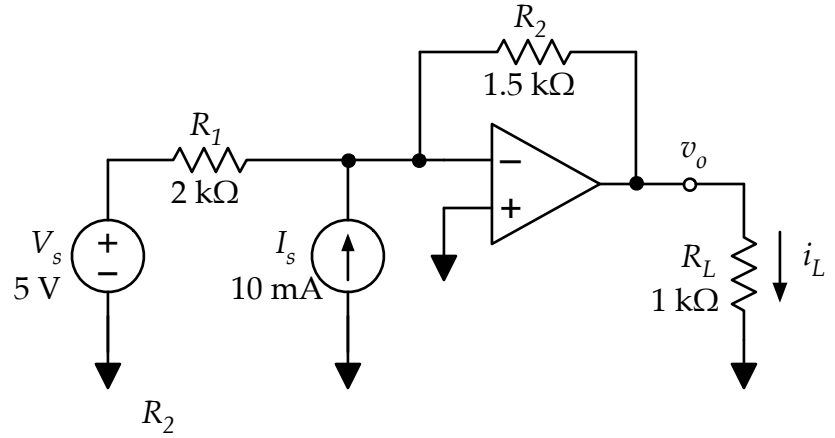


Find the current through the load resistor for the circuit shown.



$i_L =$  \_\_\_\_\_