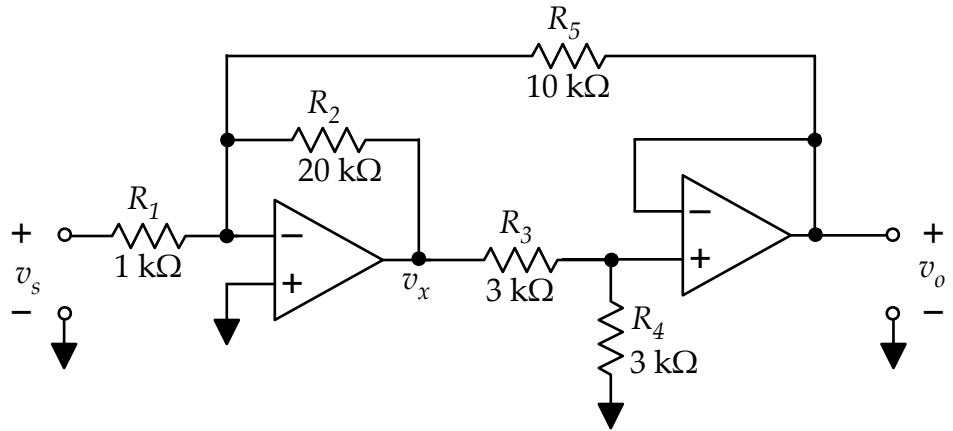


For the cascaded amplifier circuit below, calculate the gain, $G = v_o/v_s$. Assume that the op-amps are ideal. (Hint: Break the circuit into recognizable pieces and work from there.)



$G =$ _____