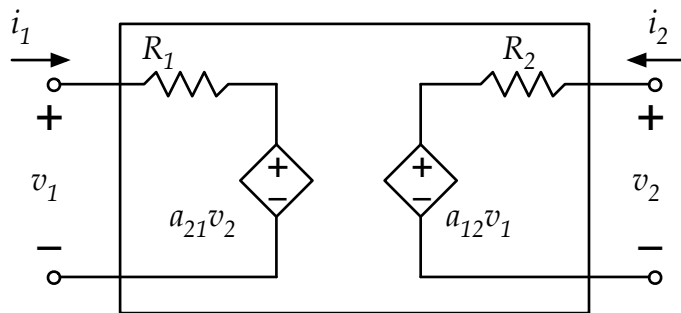
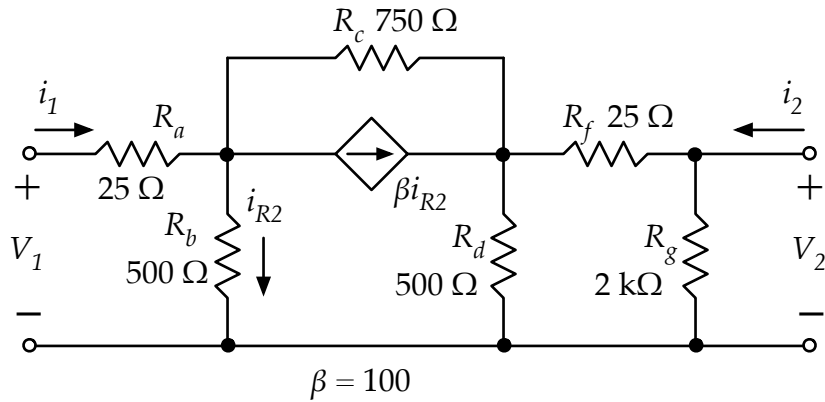


Determine the two-port equivalent for the circuit shown



$R_1 =$ _____

$a_{21} =$ _____

$R_2 =$ _____

$a_{12} =$ _____