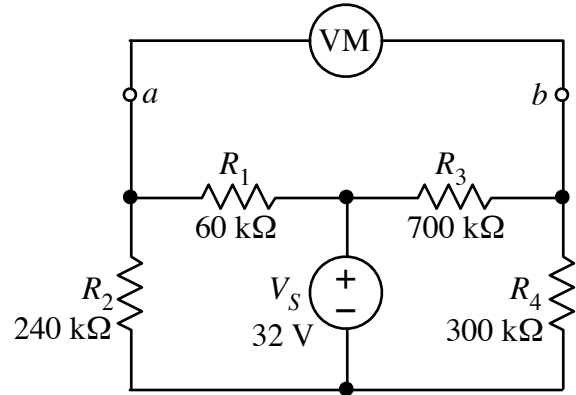


In the circuit at right, you use a cheap multimeter to measure the voltage between nodes a and b . The reading is 14 V. However, you suspect that the value may not be correct because of the large resistances in the circuit and your uncertainty regarding the effective resistance of the meter. Use the measured result and the Thevenin equivalent of the circuit to determine the effective resistance of the voltmeter. How far off was the meter from the correct value?



$R_{meter} =$ _____ ; $V_{error} =$ _____