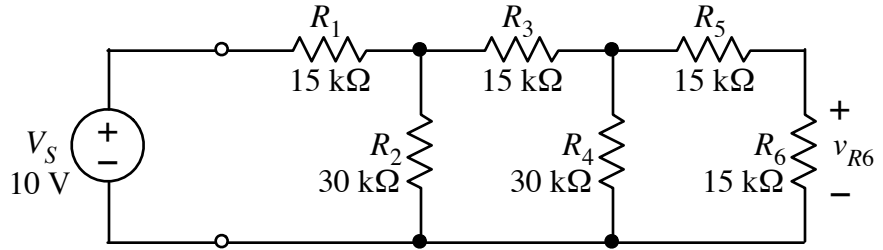
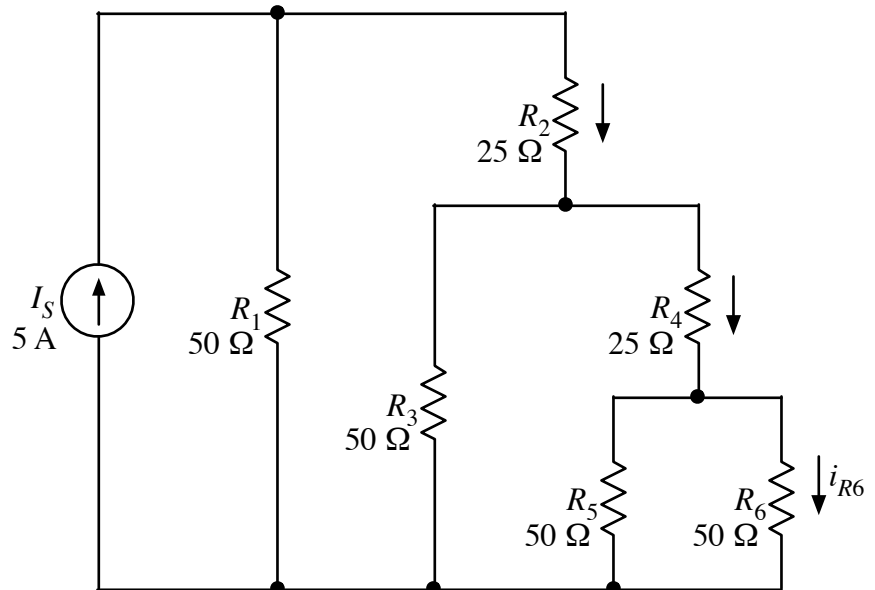


- a. In the circuit below, use the voltage divider three times in succession to find the voltage v_{R6} .



$v_{R6} =$ _____

- b. In the circuit at right, use the current divider method three times in succession to find the current i_{R6} .



$i_{R6} =$ _____