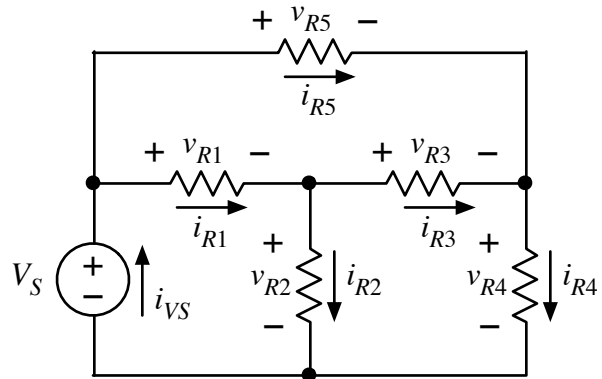
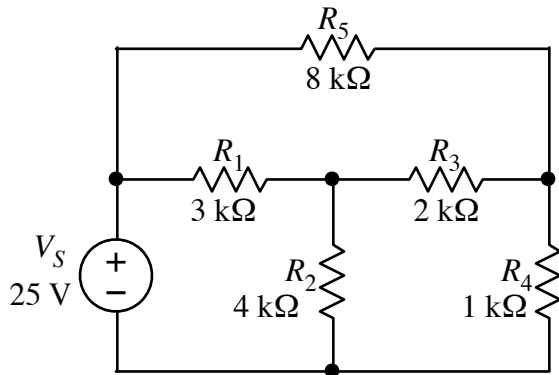


In the circuit shown, it is known that the voltage $v_{R5} = 20$ V. Use KCL, KVL, and Ohm's Law to find currents in all 5 resistors and the current from the source.



Also, calculate the power delivered by the source and the power dissipated in each resistor. Show that the powers balance. (i.e. All of the power from the source is dissipated in the resistors.)

$i_{R1} =$ _____ ; $P_{R1} =$ _____

$i_{R2} =$ _____ ; $P_{R2} =$ _____

$i_{R3} =$ _____ ; $P_{R3} =$ _____

$i_{R4} =$ _____ ; $P_{R4} =$ _____

$i_{R5} =$ _____ ; $P_{R5} =$ _____

$i_{vs} =$ _____ ; $P_{vs} =$ _____

Write your answers — and whatever work will fit — on this sheet. Staple any sheets with additional work behind.